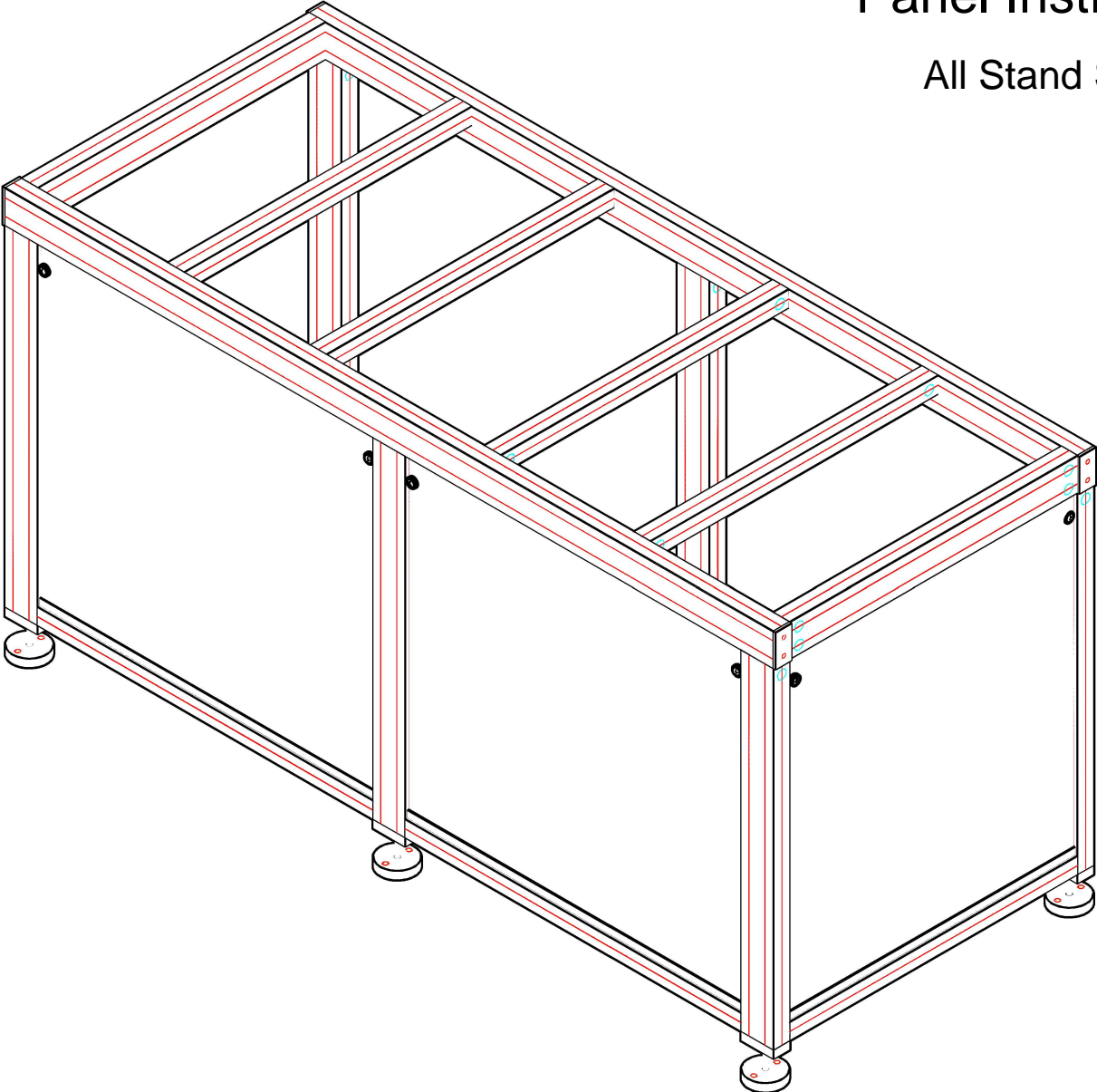
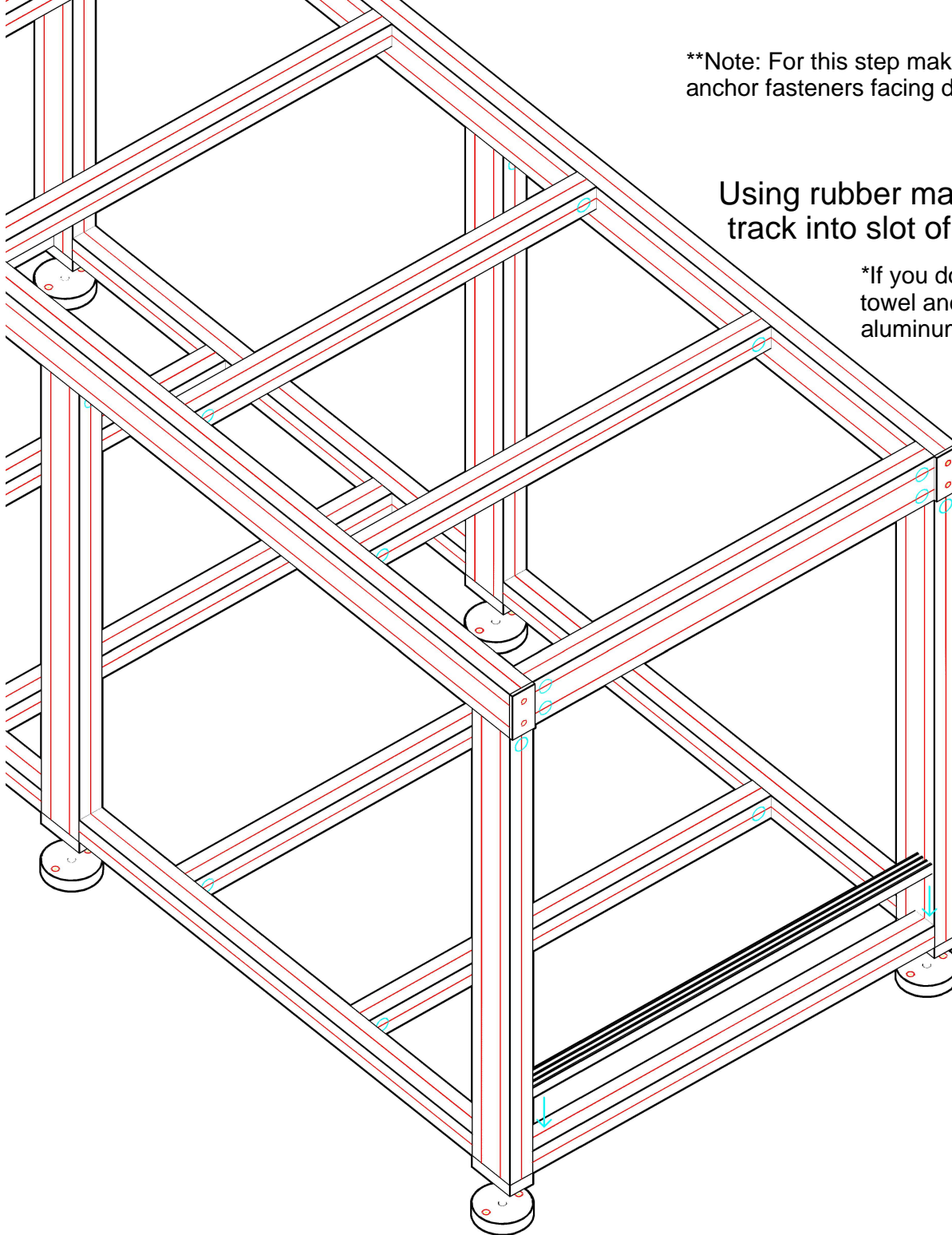


# Panel Instructions

All Stand Sizes



1

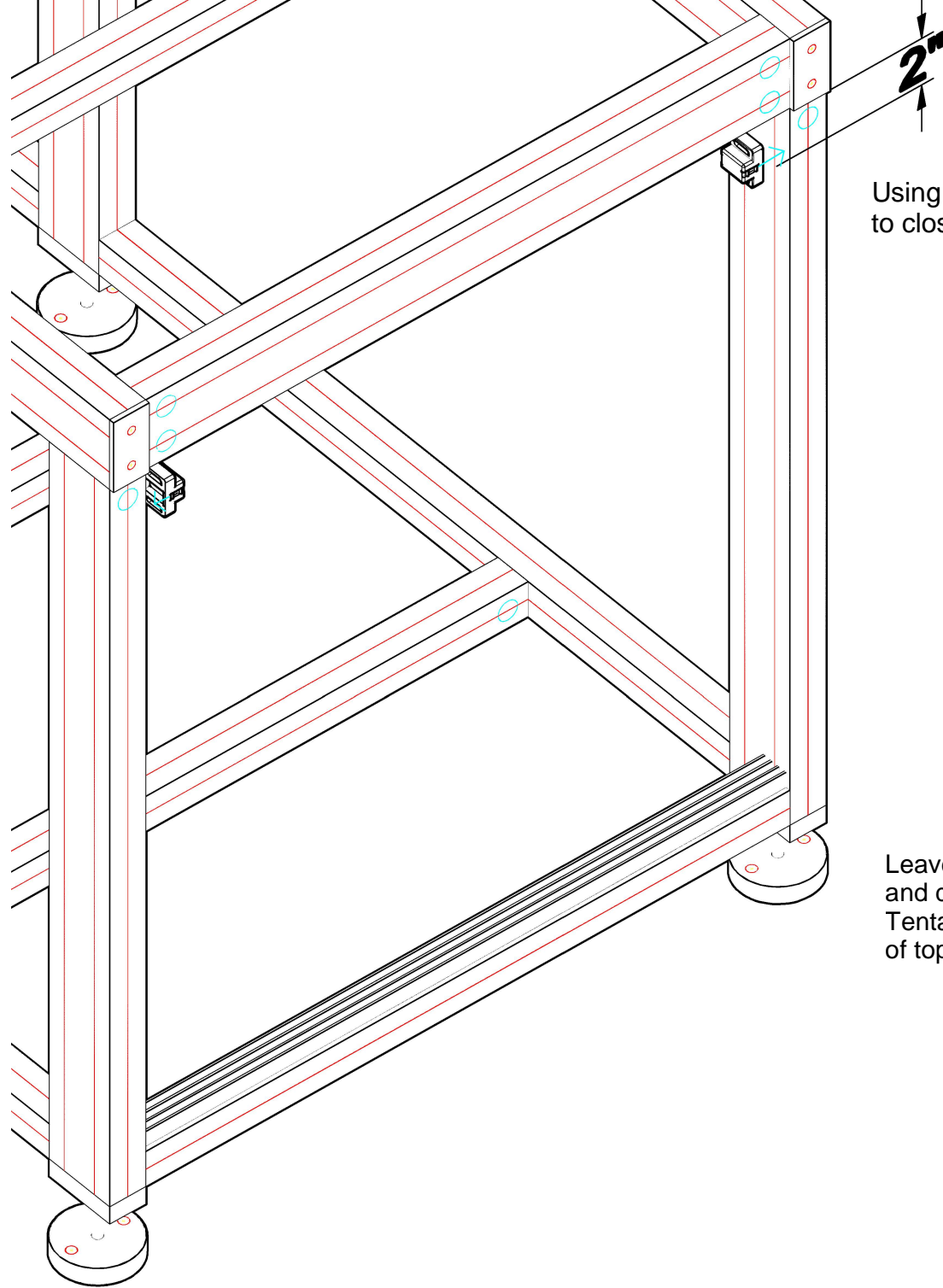


**\*\*Note:** For this step make sure your bottom bar is installed with anchor fasteners facing down so you have full access to t-slot

**Using rubber mallet (not included), hammer door track into slot of bottom bar**

**\*If you do not have a rubber mallet, cover track with towel and use regular hammer so as to not damage aluminum door track**

2



Using drop in t-nuts, install magnet catches on to closest inside slot of leg

Drop in t-nut

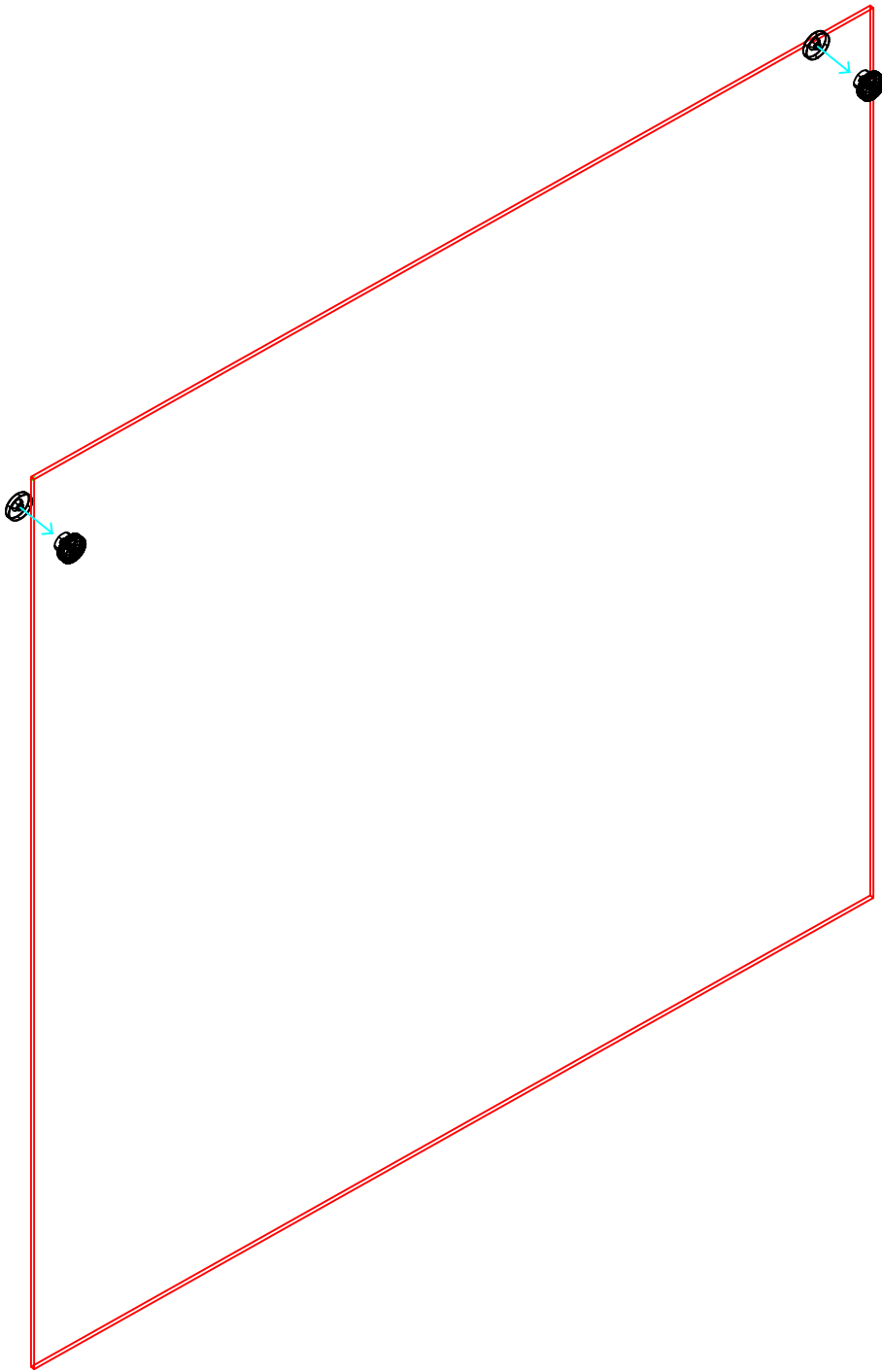


Magnet catch



Leave catch loose enough to be able to move up and down and forward and back.  
Tentatively place the catch 2" from bottom of top bar.

3



Run tapered bolt through magnet so head of bolt fits into indentation of magnet



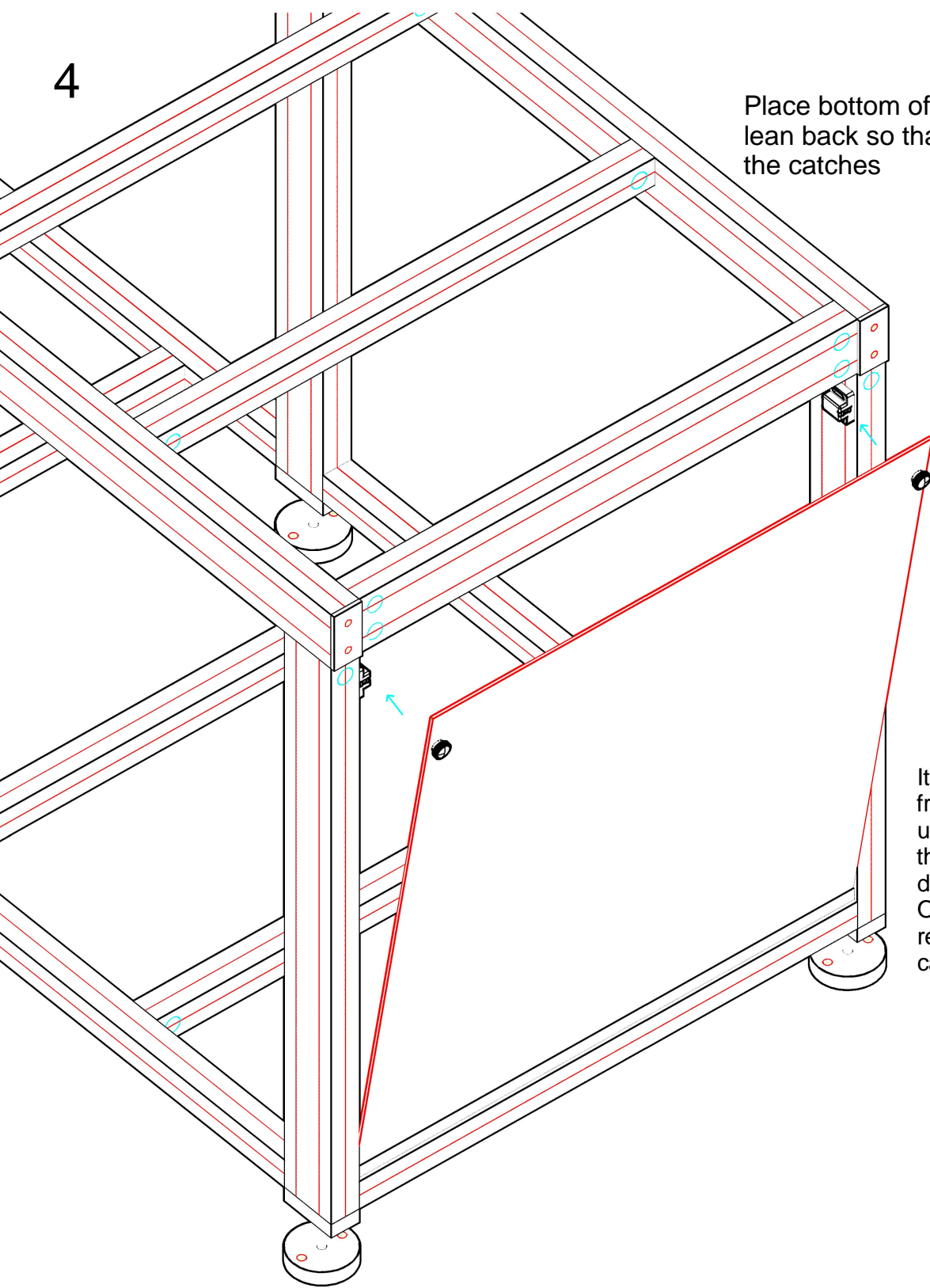
Stick bolt and magnet through hole in panel. Thread hole of knob on to the exposed bolt that is sticking through the panel so that the knob is on one side of the panel and the magnet is on the other side



Tighten down by hand

4

Place bottom of panel in the door track and lean back so that panel magnets engage the catches



It is helpful to leave catches loose from previous step. Shift catch up & down, forward & back so that catch & magnet line up directly. Once the position is at its best, remove panel and tighten bolts of catch to lock its position