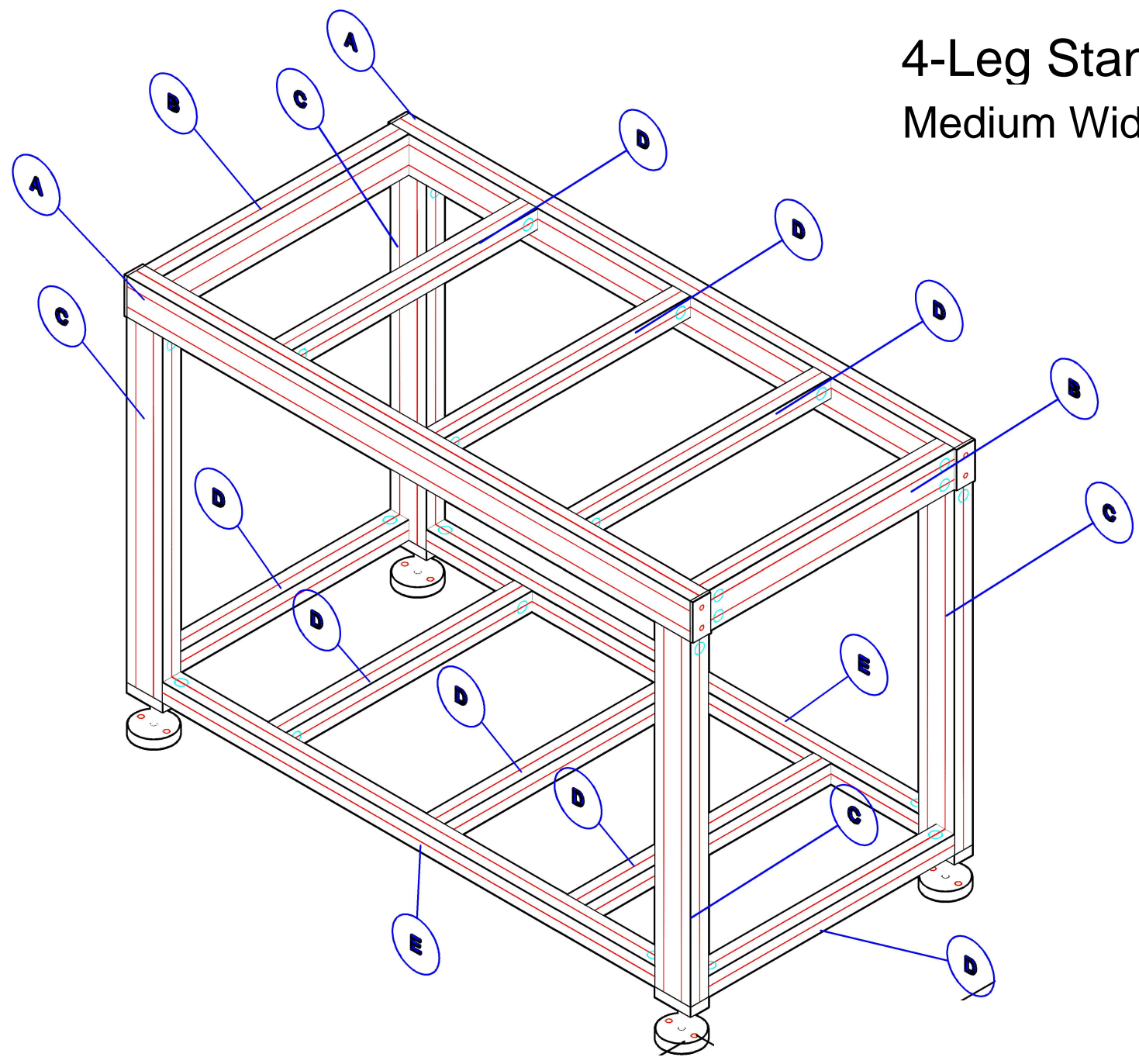
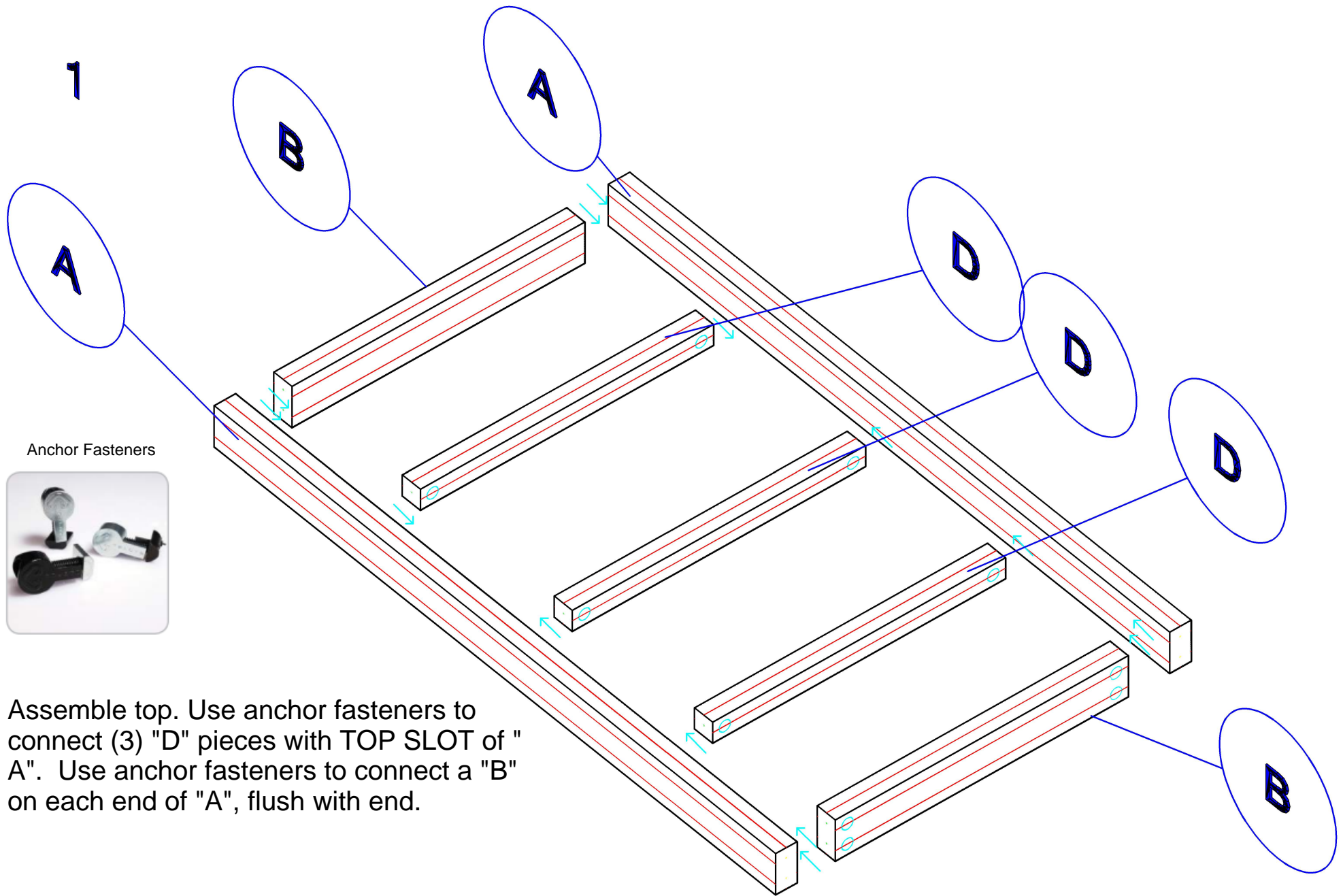


4-Leg Stand Medium Width

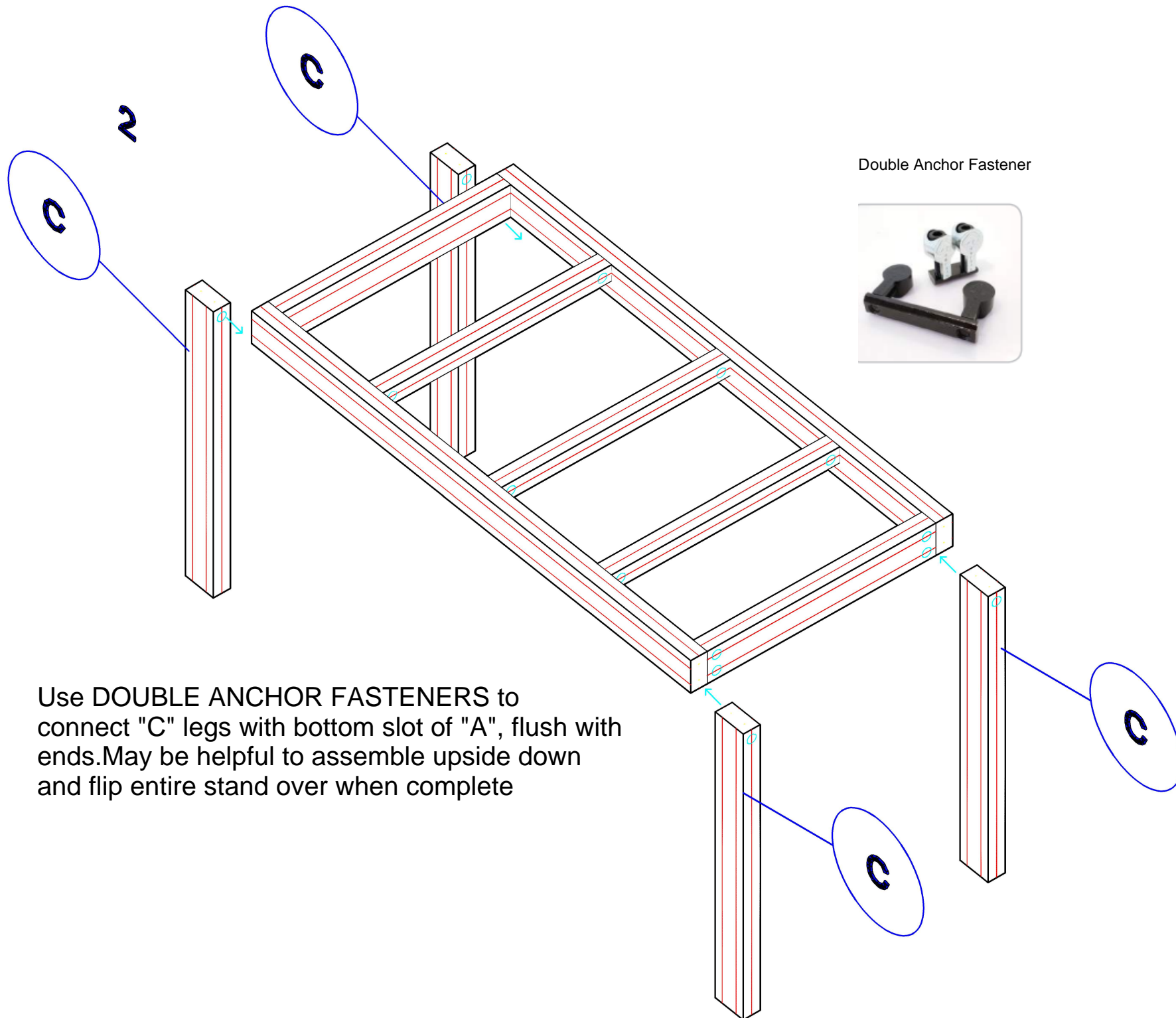




1

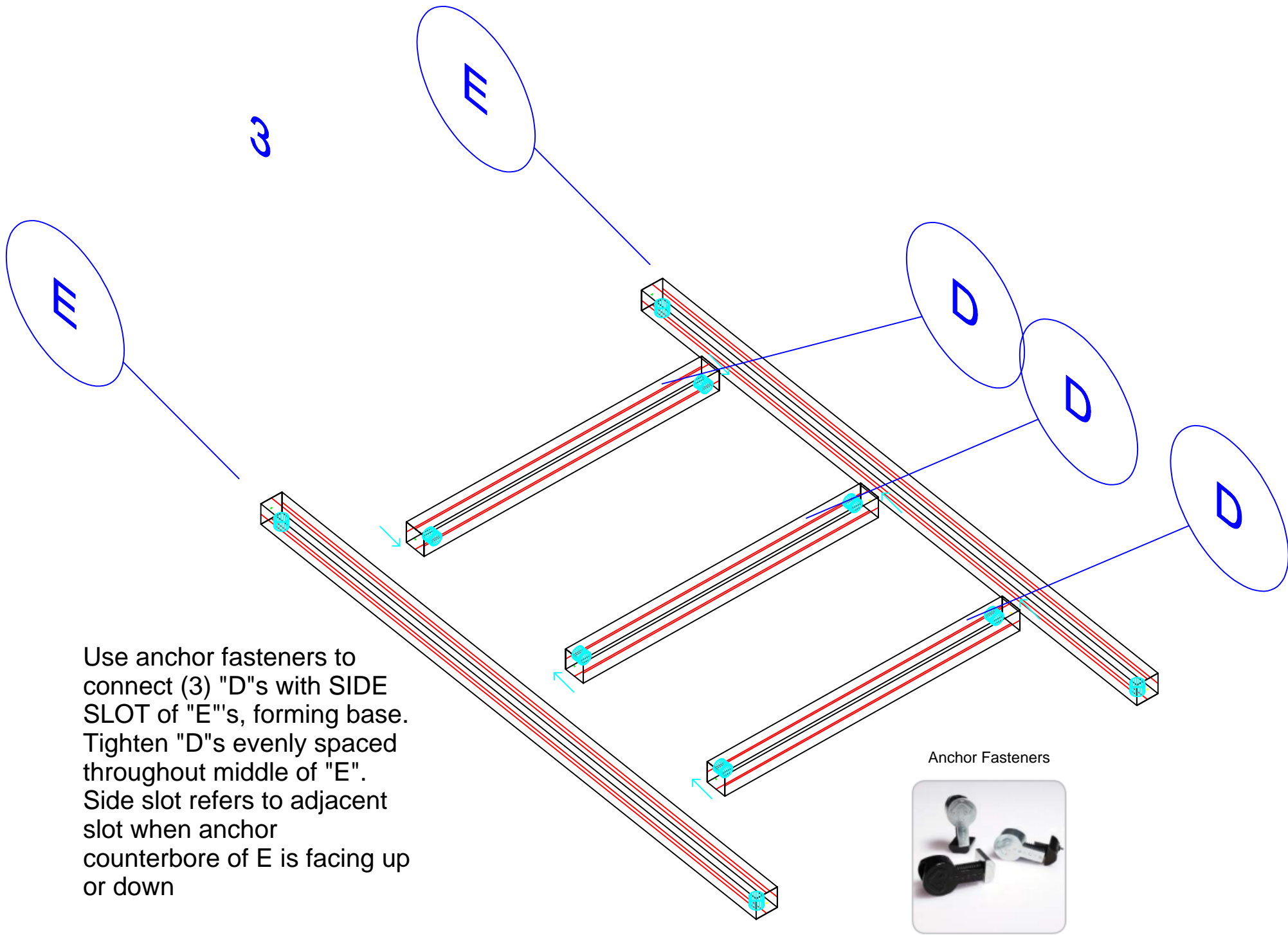
Anchor Fasteners

Assemble top. Use anchor fasteners to connect (3) "D" pieces with TOP SLOT of "A". Use anchor fasteners to connect a "B" on each end of "A", flush with end.

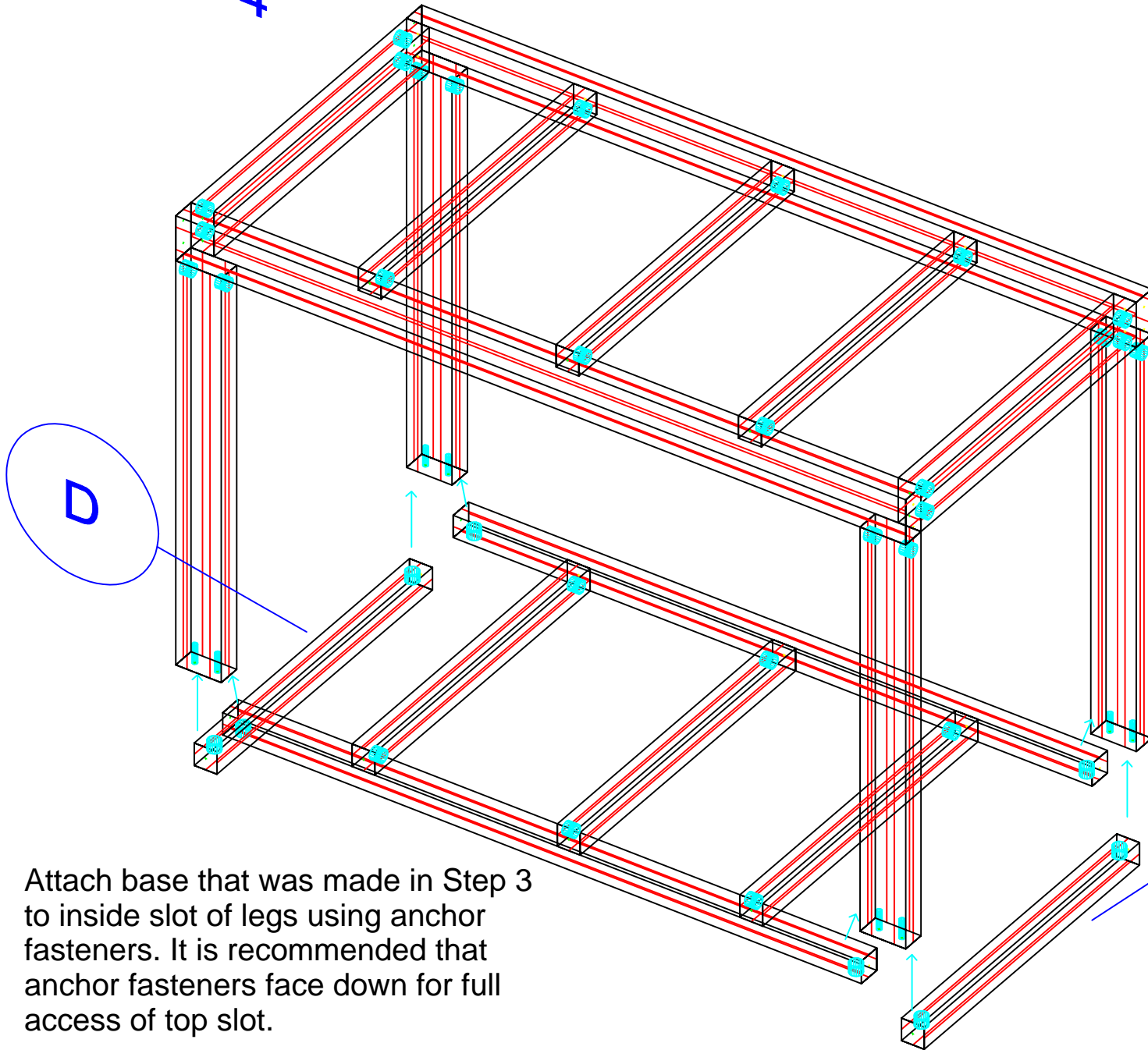


Double Anchor Fastener

Use **DOUBLE ANCHOR FASTENERS** to connect "C" legs with bottom slot of "A", flush with ends. May be helpful to assemble upside down and flip entire stand over when complete

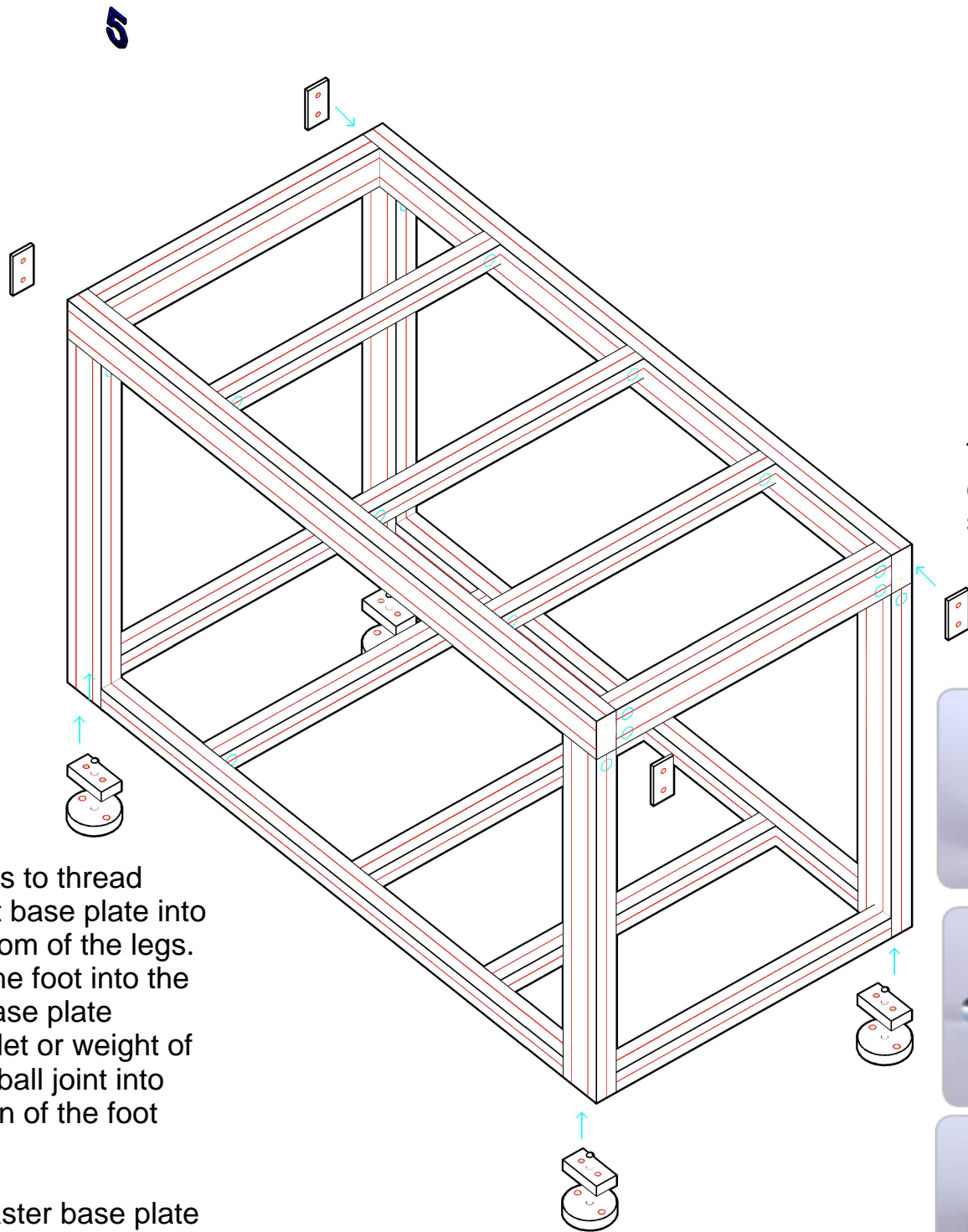


4



Attach base that was made in Step 3 to inside slot of legs using anchor fasteners. It is recommended that anchor fasteners face down for full access of top slot.

Attach last 2 "D"'s to outside slot leg using anchor fastener. It is recommended that anchor fasteners face down for full access of top slot.



Use rubber mallet (or handle of T wrench) to gently pound end caps into exposed ends of stand top

-Finish by using bolts to thread outside holes of foot base plate into the holes at the bottom of the legs.
 -Thread the rod of the foot into the center hole of the base plate
 -Using a rubber mallet or weight of the stand, snap the ball joint into the round indentation of the foot pad.

FOR CASTERS: Caster base plate and casters will connect to the legs in the same fashion

Base Plate

Foot Rod

Foot Pad